

Burns and Ferrall Locations

AUCKLAND
 12 Reg Savory Place
 East Tamaki, Auckland

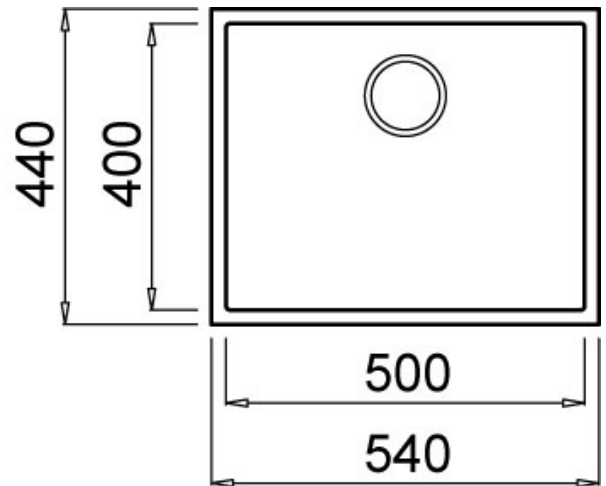
0800 697 465

WELLINGTON
 122-124 Tory Street
 Te Aro

HAMILTON
 60 Alexandra Street
 Central

CHRISTCHURCH
 345 St Asaph Street
 Christchurch

Product Specification Sheet
ELGQ105-40



Quadra Undermount
 Elleci Quadra Granitek 500 Single Bowl

| | |
|----------------------------------|-----------------------------|
| <u>Models</u> | <u>Corner Radius</u> |
| 08 ELGQ105-68 <i>White</i> | 10mm |
| 08 ELGQ105-40 <i>Black</i> | |
| <u>Overall Dimensions W x D</u> | <u>Waste</u> |
| 540 x 440mm | 90mm |
| <u>Bowl Dimensions W x D x H</u> | <u>Minimum Cabinet Size</u> |
| 500 x 400 x 220mm | 620mm |

Material & Finish
 Granitek, Honed

Accessories Available (optional)



BFDDB
 DRAINING BASKET
 390 X 325mm

BFDRMB
 ROLLER MAT
 480 X 450mm

Eco Sink Insert
 B&F Eco Sink Matte Black
 Models
 14 8RD/ECO

E&OE – it is recommended all measurements are taken directly from the product. Specification subject to change without notice, always consult the literature supplied with the product. Coloured images are indicative only.